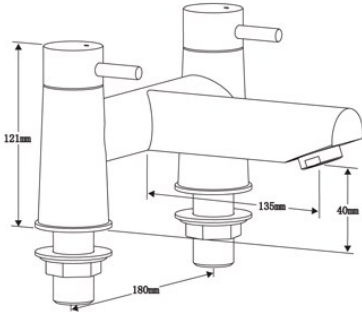




Ebro H Pattern Bath Filler

2 Hole Leg Bath Filler



Code	Description	Dimensions
4G4124	H Pattern Bath Filler	See Image

Pegler Yorkshire reserve the right to change specifications

10 Year Guarantee

Luxury Taps and Mixers

Pegler Yorkshire Customcare 10 Year Guarantee - Terms and Conditions

Product are subject to a 10 year guarantee that is between Pegler Yorkshire and the final purchaser of the product.

The guarantee is subject to proof of purchase being supplied.

This guarantee does not affect any statutory rights the consumer may have in law.

The guarantee covers manufacturing or material defects and does not cover parts subject to normal wear and tear.

Finishes other than chrome are covered for a period of 3 years only and the guarantee on the finish is subject to the cleaning instructions being followed.

The guarantee is not applicable where the product is fitted contrary to the conditions in the fitting instructions.

Abusive behaviour and accidental damage to the product are not covered by this guarantee.

The extent of this liability is limited to the cost of the replacement of the defective item and not to fitting or consequential damages.

Care

To maintain the surface finish, simply wipe occasionally with a mild detergent on a soft damp cloth. Dry, using a soft cloth. Never use abrasive cleaners or chemical household cleaners and avoid contact with concentrated bleach.

Maintenance

No regular maintenance is required for this product.

In case of complete replacement Pegler recommend service valves should be fitted to the supply inlets.

For any further help or replacement parts please contact the Service Support Team on 0800 1560050.

2 Hole Leg Bath Filler

1						
Spare Key	Description	Code	Barcode	Date From	Date To	Price (£) ex VAT
1	HD119 Handle Pair	854556	5022050330567	01/01/1900	To Current	£33.14
2						
Spare Key	Description	Code	Barcode	Date From	Date To	Price (£) ex VAT
2	HFK13 Handle Fixing Kit	854557	5022050330611	01/01/1900	To Current	£2.50
3						
Spare Key	Description	Code	Barcode	Date From	Date To	Price (£) ex VAT
3	HKC30 CPT CD QT HEADWORK COLD 3/4	814044	5013866056413	01/01/1900	To Current	£38.71
3	HKH31 CPT CD QT HEADWORK HOT 3/4	814045	5013866056420	01/01/1900	To Current	£38.71
4						
Spare Key	Description	Code	Barcode	Date From	Date To	Price (£) ex VAT

4 FL36CP Flange 854558 5022050330666 01/01/1900 To Current £12.57

5

Spare Key	Description	Code	Barcode	Date From	Date To	Price (£) ex VAT
5	ARW1 3/4 ANTI ROTATIONAL WASHER	814161	5013866056741	01/01/1900	To Current	£1.60

6

Spare Key	Description	Code	Barcode	Date From	Date To	Price (£) ex VAT
6	3/4 BN 915 BACKNUT	817072	5013866023361	01/01/1900	To Current	£2.79

7

Spare Key	Description	Code	Barcode	Date From	Date To	Price (£) ex VAT
7	OA4 Bath Outlet	854502	5022050225085	01/01/1900	To Current	£6.57

Pegler Yorkshire Group Ltd, St Catherine's Ave, Doncaster, S Yorkshire, DN4 8DF
Telephone: Phone +44 (0) 844 243 4400 Fax: +44 (0) 844 243 9870 Website: www.peglyorkshire.co.uk
Registered office : Pegler Yorkshire Group Ltd, St Catherine's Ave, Doncaster, S Yorkshire, DN4 8DF Company no : 00401507